

Figure 1.2 Digital logic input stage with 10 inputs

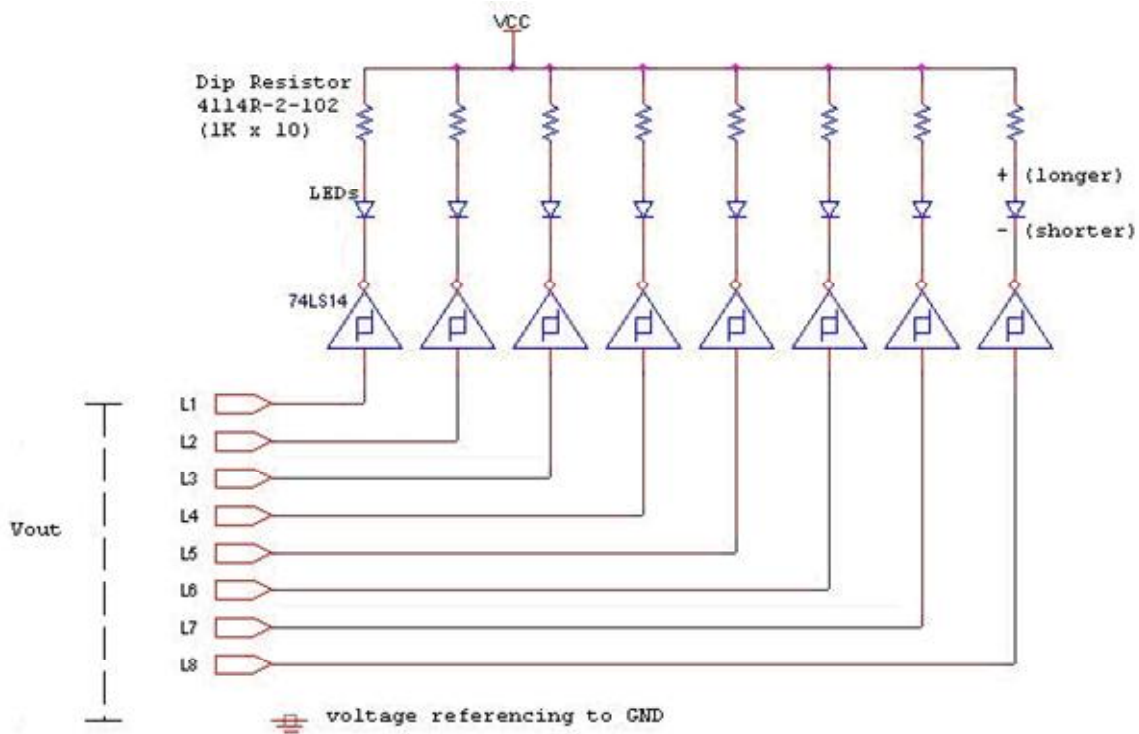


Figure 1.3 Digital logic output stage with 8 outputs